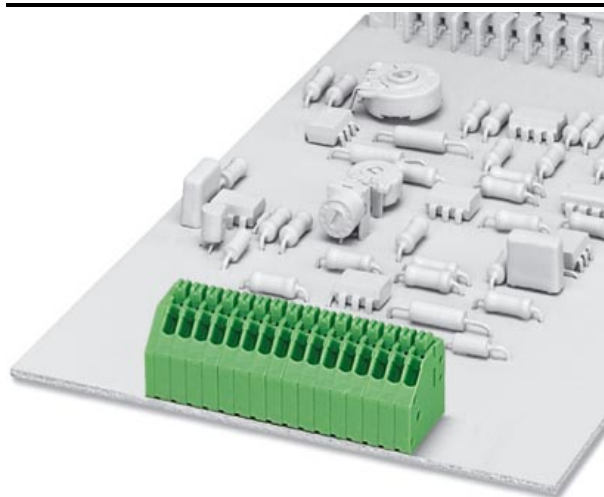


Please note that the data given here has been taken from the online catalog. For comprehensive information and data, please refer to the user documentation at <http://www.download.phoenixcontact.com>. The General Terms and Conditions of Use apply to Internet downloads.

► Extract from the online catalog



Pcb terminal, number of poles: 4, pitch: 2.5 mm, U = 160 V, I = 2 A, cross section: 0.5 mm²

The illustration shows the 16-position product version

Order No.	1989764
Ord designation	PTSA 0,5/ 4-2,5-F
EAN	4017918973360
Pack	250 Pcs.
Customs tariff	85369010
Catalog page information	Page 305 (CC-2005)

► Technical data

Dimensions / positions

Pitch	2.5 mm
Number of positions	4

Technical data

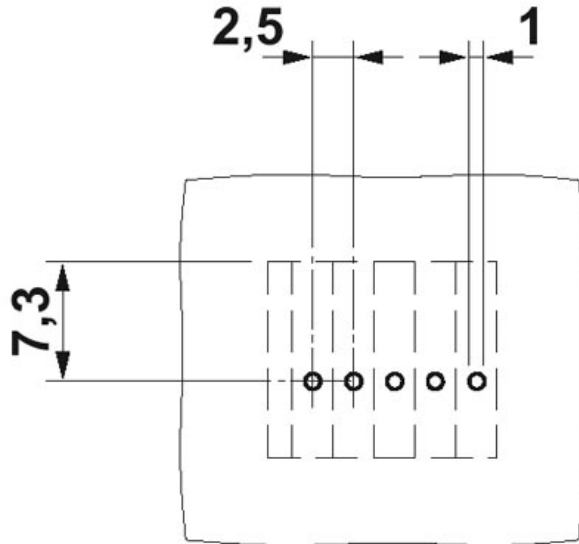
Maximum load current	2 A
----------------------	-----

Connection data

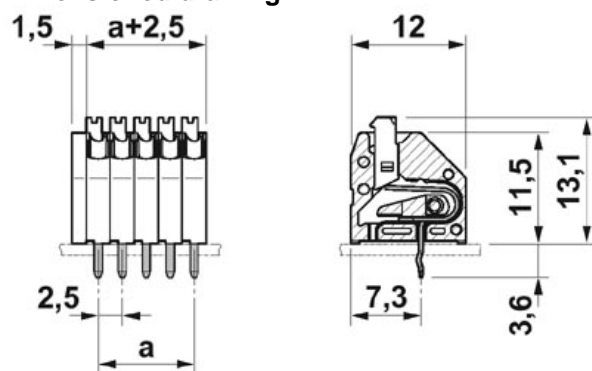
Conductor cross section, rigid min.	0.2 mm ²
Conductor cross section, rigid max.	0.5 mm ²
Conductor cross section flexible min.	0.2 mm ²
Conductor cross section, flexible max.	0.5 mm ²
Conductor cross section AWG/kcmil min.	26
Conductor cross section AWG/kcmil max	20

▶ Drawings

Drilling diagram



Dimensioned drawing



► Address

PHOENIX CONTACT GmbH & Co. KG
Flachsmarktstr. 8
32825 Blomberg
Germany
Phone +49 5235 3 00
Fax +49 5235 3 1200
<http://www.phoenixcontact.com>
Phoenix Contact
Technical modifications reserved;